



ARTICULATING ARM WITH POWERED LIFT

Manual Articulating Arm with Air Hoist



- 5 Axis Manual Pneumatic Articulating Arm for long reach applications
- Developed for loading/ unloading automotive tryout press
- Vertical Lift uses pneumatic hoist with manual controls
- Arm has two pivot features with two linear features all manual with brakes
- End of arm tools are made to order with quick release or fold up features

100% Minority

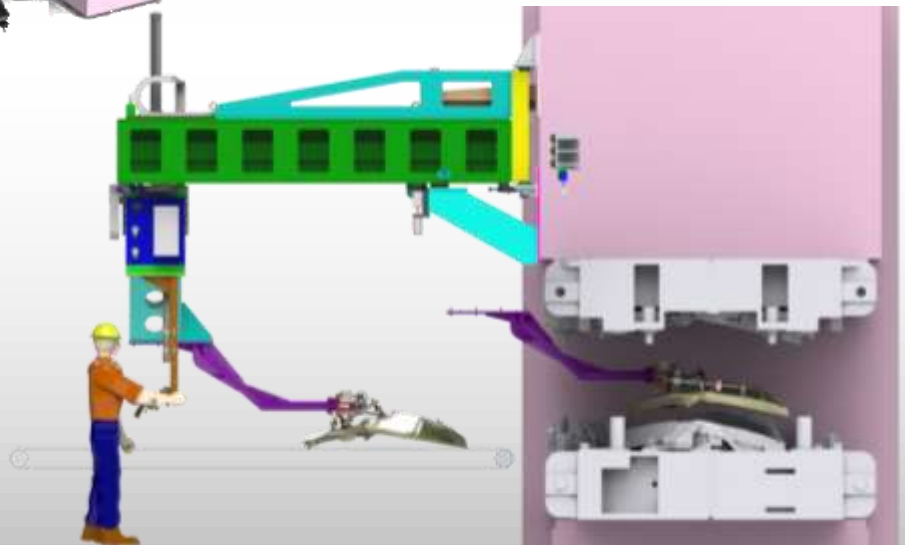
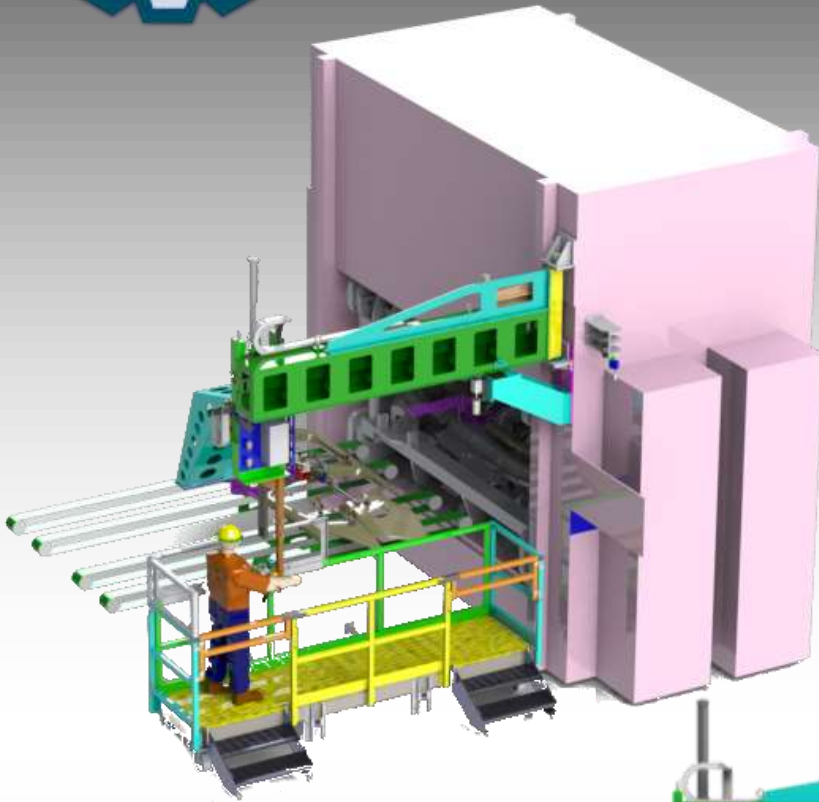


Alternative Engineering, Inc.
5670 West River Drive, Belmont, MI 49306
Phone 616-785-7200 Fax 616-785-7201
See more of what we do at www.AEInc.com





ARTICULATING ARM WITH POWERED LIFT



Specifications for arm shown: (Made to Order)

- Vertical lift capacity 500 pounds at 60"
- Linear travel at hoist 44" and linear travel at tool 42"
- Main pivot rotation 110° and at operator controls 180°

100% Minority



Alternative Engineering, Inc.
5670 West River Drive, Belmont, MI 49306
Phone 616-785-7200 Fax 616-785-7201
See more of what we do at www.AEInc.com





MANUAL PRESS LOADER AIR OPERATED

Manual Press Loader using all Pneumatic Controls for Body Side Panels

Linear Assist Cylinder
Vertical Lift Cylinder
Pivot Cylinder and Quick
Change EOAT Tooling



Pneumatic Controls with
Press Run Buttons and E-Stop
Vacuum On/Off Indicator
with Safety Circuit for No
Dropped Parts

100% Minority



Alternative Engineering, Inc.
5670 West River Drive, Belmont, MI 49306
Phone 616-785-7200 Fax 616-785-7201
See more of what we do at www.AEInc.com

